

KISTOCK DATALOGGER
HVAC range: KT 120 / KH 120



- 가 PDF
- 가 PDF
- 50,000
- 2가 가
- 1 LCD
- IP65 (KT120) and IP40 (KH120) housing

	KT 120	KH 120
	°C, °F	°C, °F, %RH
	0.1 °C, 0.1 °F	0.1 °C, 0.1 °F, 0.1 %RH
	USB connector	
	NTC	CMOS
	From -40 to +70 °C	From -20 to +70 °C From 5 to 95 %RH
1	±0.4 °C (-20 °C < T < +70 °C) ±0.8 °C (beyond)	<u>Temperature:</u> From -20 to 0 °C: ±2 % of the reading ± 0.6 °C From 0 to 30 °C: ± 0.5 °C From 30 to 70 °C: ± 1.5 % of the reading <u>Humidity: Accuracy (Repeatability, linearity, hysteresis):</u> ±2 %RH (from 15 °C to 25 °C) Factory calibration uncertainty: ±0.88 %RH Temperature dependence: ±0.04 x (T-20) %RH (if T ≤ 15 °C or T ≥ 25 °C)
	2 setpoint alarms	
	50 000	
	1 ~ 24	
	From -40 to +70 °C	From -20 to +70 °C
	From -40 to +85 °C	
1	3 years ²	500 days ²

2011/65/EU RoHS II ; 2012/19/EU WEEE ; 2004/108/EC EMC ; 2006/95/EC

- 100 x 42.5 x 15.9 mm
- 53 g
- 1 line LCD screen
: 32 x 25.5mm
- 1 OK key
- 1 Selection key
- ABS housing
- IP65: KT120
- IP40: KH120
- PC
- 1 USB A male input
- 1 x CR2450 (button battery³)

가
Hygrometry: from 0 to 95 %RH
Maximum altitude: 2000 m

¹ All accuracies indicated in this document were stated in laboratory conditions and can be guaranteed for measurement carried out in the same conditions, or carried out with calibration compensation.

² On the basis of 1 measurement each 15 minutes at 25 °C.

³ The battery must be in compliance with the 60086-4 standard.

RECORDER FUNCTION

KISTOCK

()

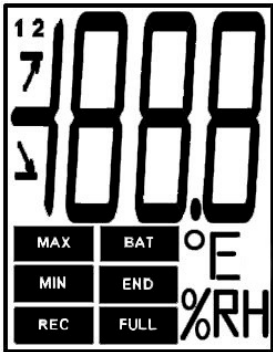
3가

-
-
- OK

6가

- ()
-
-
-
-
- OK ()

DISPLAY



END

REC

FULL

BAT

12

MIN

MAX

↗

↘

°C

°F

%RH

:

:

:

:

:

80~90%

90~100%

100%

/

/

(KH 120).

SOFTWARE



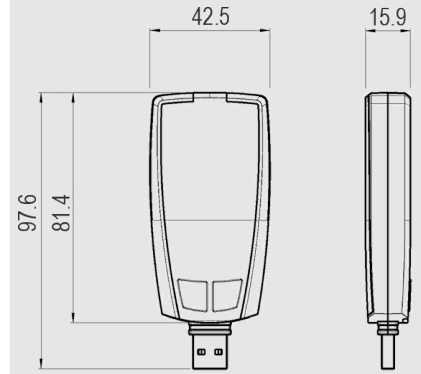
- **Integrated software in PDF format**
Enables to unload the recorded data (graphs and points statements) and the datalogger configuration.



- **Configuration and data processing software**
KILOG software enables to configure, save and process your data in a very simple way.

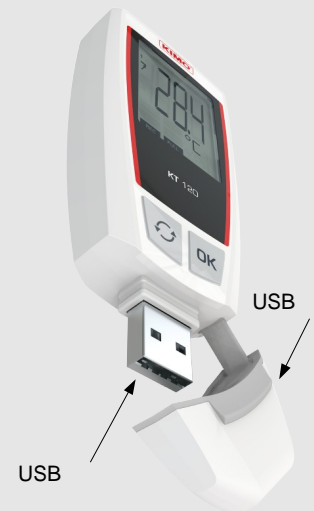
- **Software only:** Ref. KILOG-3-N

DIMENSIONS (mm)



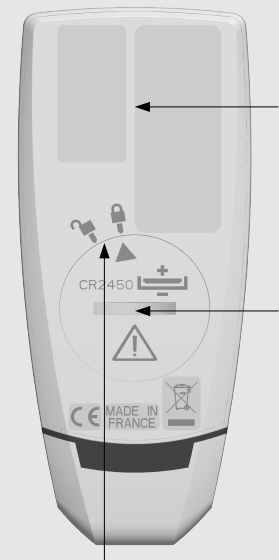
CONNECTIONS

PC connection input



MOUNTING

KISTOCK



ACCESSORIES

- 1 CR2450 battery: Ref. KBL-2450



Only the accessories supplied with the device must be used

CALIBRATION

All the KISTOCK devices have an integrated adjustment certificate in the memory in PDF format which can be visualized and printed easily.

A calibration certificate is available as option in paper format. We recommend to carry out a yearly checking.

MAINTENANCE

Please avoid any aggressive solvent.

Please protect the device from any cleaning produce containing formalin, that may be used for cleaning rooms and ducts.

GUARANTEE PERIOD

KISTOCK dataloggers have 1-year guarantee for any manufacturing defect (return to our After-sales service required).

PRECAUTIONS FOR USE

Please always use the device in accordance with its intended use and within parameters described in the technical features in order not to compromise the protection ensured by the device.

REPLACE THE BATTERY



With 500 days to 3 years* of battery life, KISTOCK devices guarantee long-term measurements.

To replace the battery:

- Unlock the battery hatch.
- Insert the battery (CR 2450 button battery**) with the + pole visible.
- Replace the battery hatch with the indicator in front of the opened padlock and close it by turning it towards the right in order to make correspond the indicator with the closed padlock.

* On the basis of 1 measurement each 15 minutes at 25 °C.

** The battery must be in compliance with the 60086-4 standard.



BE CAREFUL! Material damages can happen, so please apply the precautionary measures indicated.



Once returned to KIMO, required waste collection will be assured in the respect of the environment in accordance to guidelines relating to WEEE.

www.kimo.fr

Distributed by :



EXPORT DEPARTMENT
Tel : + 33. 1. 60. 06. 69. 25 - Fax : + 33. 1. 60. 06. 69. 29
e-mail : export@kimo.fr